

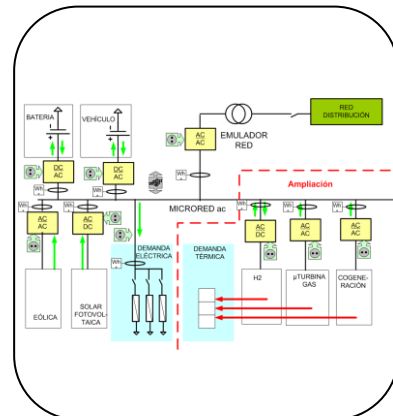
DER

DER – IREC 22@ MICROGRID

SCOPE OF THE PROJECT

DER IREC 22@ MICROGRID is a industrial research project focused in the creation of new products and services in the domain of Distributed Energy Resources (DER) and the Electrical Vehicle (EV).

The experimental research environment is an electric microgrid located at Catalonia Institute for Energy Research (Institut de Recerca en Energia de Catalunya - IREC).



Project Benefits

“A microgrid is a system that unites diverse micro-generators and loads into a single system, which provides electrical as well as heat energy” The CERtos Microgrid concept.

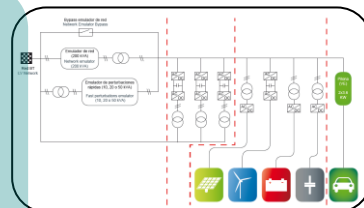
Optimum management of micro-grids will enable in the future: Energy Efficiency, Emission Reduction, Increased use of renewable energies, Reduction of energy costs, Optimum power supply security, Minimisation of wasted electricity.

Main Objectives

1) To create a DER – IREC 22@ MICROGRID platform for experimentation, which provides experimental data from various agents of the sector



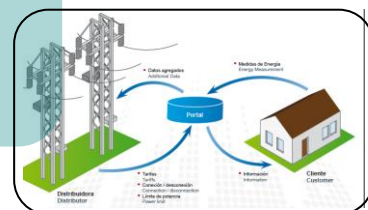
2) To identify and overcome the technical barriers that impede adoption of the new paradigm of distributed energy resources represented by microgrids



3) To consider and foresee the impact the electric vehicle will have on the new energy model and on the microgrids



4) To analyse new energy management models that take into account the interaction between microgrids and distribution lines



Project Leaders

GTD



CIRCUTOR



CINERGIA



ENDESA



Research Leaders

IREC



BCNDigital



CITCEA-UPC

